

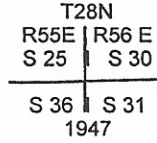
INSTRUCTIONS

1. Original and/or subsequent record used to evaluate the corner position.
2. Description of evidence found, note discrepancies in the record, state method of establishing lost or obliterated corners.
3. Description of monument and accessories set to perpetuate the corner position.
4. Sketch of corner, show all pertinent data which can best be shown in a sketch example, corner marking, topography ties, position of accessories, etc.
5. Certification must be signed and sealed by Land Surveyor registered in the State of Montana.
6. Fill in Cross Index & Section Diagram at bottom of sheet.

**CERTIFIED CORNER RECORDATION**

Corner SE Sec 25 T. 28N, R. 55E P.M.M. Roosevelt County, MT

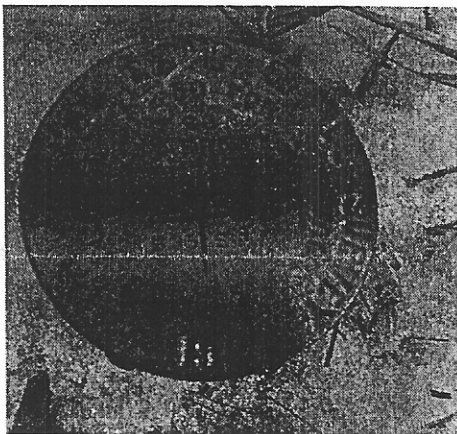
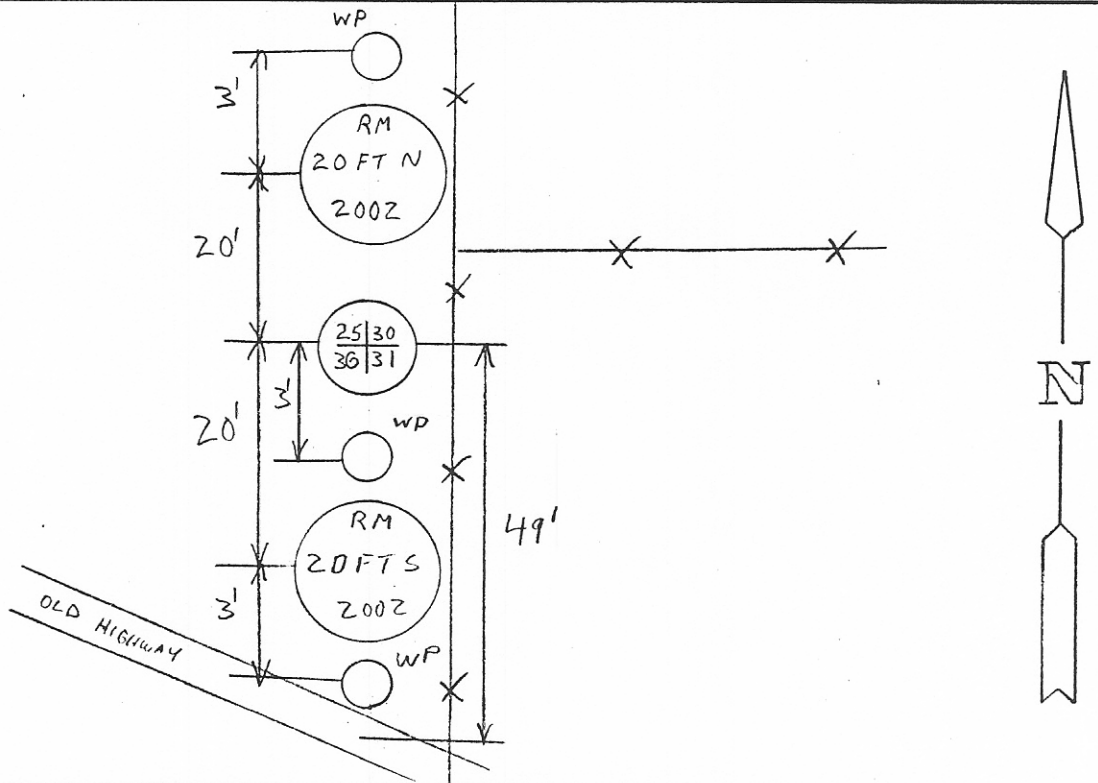
Original Record: In June 1947, US Deputy Surveyor Ranney Lyman set an iron post, 3 ft. long, 2 ins. diam., 30 ins. in the ground, with brass cap marked



raise mound of stone, 2 ft. base, 1 1/2 ft. high, W. of cor.

Found: In March 2002, MDT Survey Crew 41-86 found original 3 1/2" brass cap well set and in good condition under North-South fence. Brass cap is 49' North of centerline of old highway and 7.3' South of fence corner to East fence.

Set: In March 2002, MDT Survey Crew 41-86, set a 1" aluminum pipe survey witness post 3' South of brass cap and set a 2" aluminum cap on a 5/8"x30" rebar as a reference monument 20' North of brass cap and set a 1" aluminum pipe survey witness post 3' North of reference monument. Also set a 2" aluminum cap on a 5/8"x30" rebar as a reference monument 20' South of brass cap and set a 1" aluminum pipe survey witness post 3' South of reference monument.



CERTIFICATION

I, Dan Guenzi certify the information shown herein is true and correct.

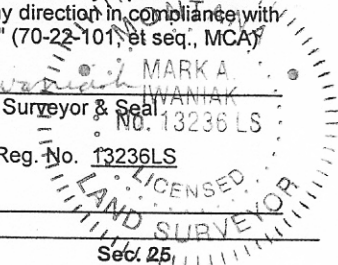
Dan Guenzi  
Signature of Ground Party Chief

I, Mark Iwaniak, certify that this Corner Record correctly represents work performed by me or under my direction in compliance with the "Corner Recordation Act" (70-22-101, et seq., MCA)

Mark A. Iwaniak  
Signature of Surveyor & Seal  
No. 13236 LS

Date: 10-24-02 Reg. No. 13236LS

Employer: MDT



Office of Clerk and Recorder, County of \_\_\_\_\_ This "corner record" was filed or record on \_\_\_\_\_, was noted on the cross-index plat, and is assigned Page No. \_\_\_\_\_, in Book No. \_\_\_\_\_

County Official \_\_\_\_\_


• — Corner this sheet

V-1 28 56  
Cross Index No. V-25 T. 28N R. 55E, PMM

STATE OF MONTANA ROOSEVELL COUNTY  
 RECORDED: 10/28/2002 8:50 COR RECORD  
 CLERK AND RECORDER BY: Cheryl A. Hansen  
 FEE: \$0.00