

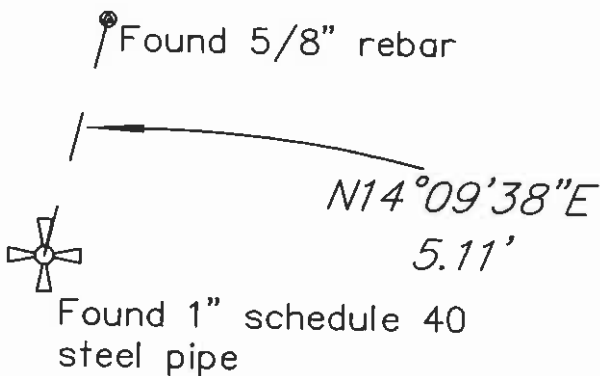
CERTIFIED CORNER RECORDATION

Corner Sec. 19 Southeast Corner T. 25 N R. 21 W P.M.M. Lake County
 Corner Sec. 30 Northeast Corner T. 25 N R. 21 W P.M.M. Lake County

ORIGINAL: Set stone

SUBSEQUENT: Set 1 inch steel pipe

PERPETUATION: None



See Certificate of Survey Number _____ for further information.

SKETCH OF CORNER

CERTIFICATION

I, Olaf C. EVERTAN
 certify the information shown hereon is true and correct.
 Signature of Ground Party Chief

I, Darren R. BARKER
 certify that this Corner Record correctly represents work performed by me or under my direction in compliance with the "Corner Recordation Act", (70-22-701, et seq., M.C.A.)
 Signature of Surveyor

Date: November 10, 2004

Employer: Montana Mapping, Inc.

Office of Clerk and Recorder, County of Lake. This "corner record" was filed for record on JUN 10 2004 at 9:05 AM

was noted on the cross-index plat and is assigned page No. 448657, in

book No. 2558 RUTH E. HODGES by Pamela B. Reprnak, Deputy
 Fee - n/c County Official

Cross Index No. 75 T. 25 N R. 21 W PMM

Sec. 19

• corner this sheet