

INSTRUCTIONS

1. Original and/or subsequent record used to evaluate the corner position.
2. Description of evidence found, note discrepancies in the record, state method of establishing lost or obliterated corners.
3. Description of monument and accessories set to perpetuate the corner position.
4. Sketch of corner, show all pertinent data which can best be shown in a sketch example, corner marking, topography ties, position of accessories, etc.
5. Certification must be signed and sealed by Land Surveyor registered in the State of Montana.
6. Fill in Cross Index & Section Diagram at bottom of sheet.

CERTIFIED CORNER RECORDATION

Corner Sections 3, 4, 9 & 10 T. 24 N. R. 19 W. P.M.M. Lake County

ORIGINAL RECORD: (1906 G.L.O.) Not recovered.

EVIDENCE FOUND: Found 10" X 8" X 5" stone (loose set) with 5 grooves in south edge and "X" scribed on top.

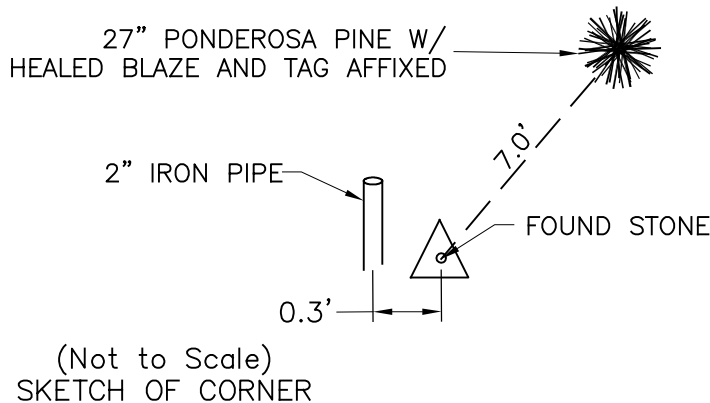
Monument found in small mound of stone with a 2" pipe 1' above ground and 0.3' west.  
 27" Ponderosa Pine found with tag affixed, blaze healed and scribing not visible.  
 Tag reads "7 FT 290° T24N R19W SEC 3"

PERPETUATION: Left monument as found.

Date of Survey: October, 2010.



NAD 83 coordinates for this corner:  
 Latitude = 47°51'46.70"N Longitude = 114°01'37.02"W  
 NOTE: These coordinates are to be used as a search tool only.



CERTIFICATION

I, Steve Cummings  
 certify the information shown herein is true and correct.

\_\_\_\_\_  
 Signature Ground Party Chief

I, Kurt A. Luebke  
 certify that this Corner Record correctly represents work performed  
 by me or under my direction in compliance with the "Corner  
 Recordation Act" (70-22-101, et seq., M.C.A.)

\_\_\_\_\_  
 Signature of Surveyor & Seal

Date: 11-22-2010 Reg. No. 13237 S

Employer: DJ&A P. C.

