

INSTRUCTIONS

1. Original and/or subsequent record used to evaluate the corner position.
2. Description of evidence found, note discrepancies in the record, state method of establishing lost or obliterated corners.
3. Description of monument and accessories set to perpetuate the corner position.
4. Sketch of corner, show all pertinent data which can best be shown in a sketch example, corner marking, topography ties, position of accessories, etc.
5. Certification must be signed and sealed by Land Surveyor registered in the State of Montana.
6. Fill in Cross Index & Section Diagram at bottom of sheet.

CERTIFIED CORNER RECORDATION

Corner Sections 7, 8, 18 & 17 T. 7 N. R. 14 W. P.M.M. Granite County

ORIGINAL RECORD: (1873 G.L.O.) Not recovered.

SUBSEQUENT RECORD: (1987 B.L.M.)

Set an aluminum post, 30 ins. long, 2 1/2 ins. diam., 22 ins. in the ground, with aluminum cap mkd. [as shown below]
Raise a collar of stone, 3 ft. diam., around the aluminum post.

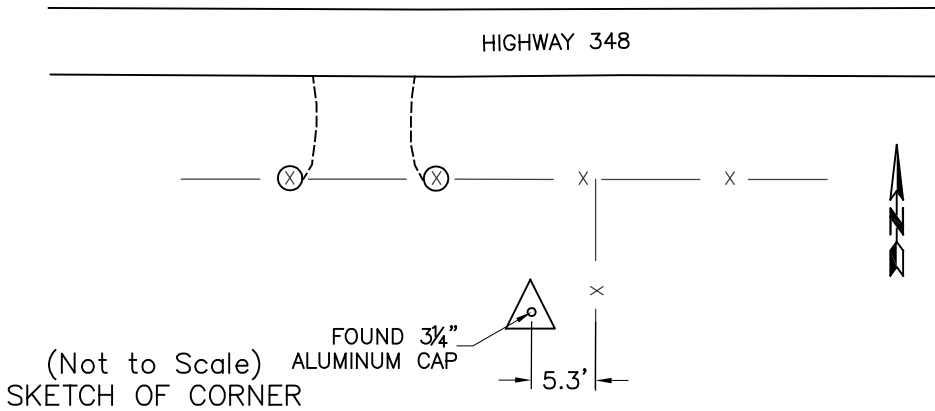
EVIDENCE FOUND: Found 3 1/4" Aluminum Cap, 0.4' above ground in mound of stone, 5.3 feet west of fence line.

PERPETUATION: Left monument as found.

Date of Survey: October, 2009.



NAD 83 coordinates for this corner:
Latitude = 46°22'02.54855"N Longitude = 113°23'24.03574"W
NOTE: These coordinates are to be used as a search tool only.



CERTIFICATION

I, Steve Cummings
certify the information shown herein is true and correct.

Signature Ground Party Chief

I, Kurt A. Luebke
certify that this Corner Record correctly represents work performed by me or under my direction in compliance with the "Corner Recordation Act" (70-22-101, et seq., M.C.A.)

Signature of Surveyor & Seal

Date: 10-27-2009 Reg. No. 13237 S

Employer: DJ&A P. C.

Sec. 7

● - corner this sheet

Cross Index No. J-5 T. 7 N. R. 14 W. PMM